



TRUSTED TELECOMS

# WIRELESS HEADSET EHS GUIDE



## **Wireless Headset EHS Guide**

---

### **Introduction**

Electronic Hook Switch(EHS) provides a solution that enable remote operation, answer/end functions, of wireless headset with various phones, thus eliminating the need for a mechanical handset lifter.

### **Mobility**

With EHS solution they can roam within the facility and still do business on the spot. Wireless headsets with EHS functionality boost productivity as they provide the user with the ability to answer and end a call, while away from their desk.

Supports EHS with following phone system manufacturer:

Phone Model	EHS Adapter	Part No.
SIEMENS OpenStage 40/60/80 SIEMENS OptiPoint Basic/Std/Adv/Eco	DS-DHSG Cable	<b>EHS-SI-00</b>
CISCO 7975G CISCO 7965G CISCO 7945G CISCO 7962G CISCO 7942G	HHC Adapter	<b>EHS-CI-00</b>
ALCATEL 4028 EE ALCATEL 4038 EE ALCATEL 4068 EE	MSH Adapter	<b>EHS-AL-00</b>
Avaya 1608, 1616, 1608i, 1616i, 9608, 9620, 9630 9640, 9650	AEI-II(Avaya) Adapter	<b>EHS-AV-00</b>
PANASONIC	Panasonic EHS Cable	<b>EHS-PA-00</b>
TOSHIBA	DAEI-II(Toshiba)	<b>EHS-AV-02</b>
YEALINK	DS-Yealink-Cable	<b>EHS-YE-00</b>
POLYCOM	Polycom EHS Cable	<b>EHS-PO-00</b>
SMART PHONE Galaxy & iPhone Series	SmartPhone EHS Adapter	<b>EHS-SM-00</b>

## ALCATEL EHS Guide

Phone Model	EHS Adapter	Data Link	Comments
4028EE	MSH Adaptor		
4038EE	MSH Adaptor		
4068EE	MSH Adaptor		



- Connect  $\phi 3.5$  plug to the jack on the left side of the phone.
- With the RJ-11 jack (6p4c), connect to the modular socket on your desk phone marked with a "BELL" icon.

DMSH EHS Adaptor

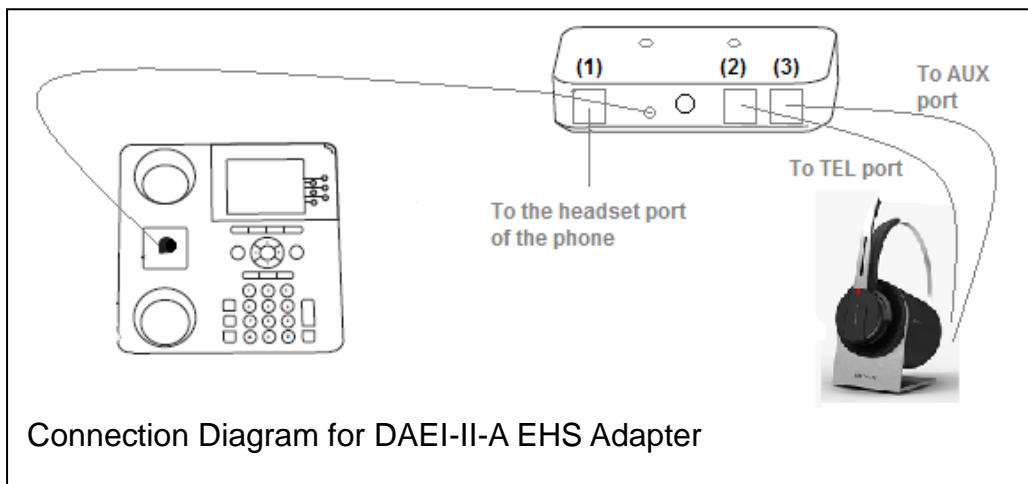


- Base side : RJ-45 and RJ-9
- Phone side : RJ-11(6P4C) and  $\phi 3.5$  plug

## AVAYA EHS Guide

Phone Model	EHS Adapter	Data Link	Comments
1608	AEI-II (Avaya) Adapter	Uni-directional	
1616	AEI-II (Avaya) Adapter	Uni-directional	
1608-i	AEI-II (Avaya) Adapter	Uni-directional	
1616-i	AEI-II (Avaya) Adapter	Uni-directional	
9608	AEI-II (Avaya) Adapter	Uni-directional	
9610	AEI-II (Avaya) Adapter	Uni-directional	
9620	AEI-II (Avaya) Adapter	Uni-directional	
9630	AEI-II (Avaya) Adapter	Uni-directional	
9640	AEI-II (Avaya) Adapter	Uni-directional	
9650	AEI-II (Avaya) Adapter	Uni-directional	
9670	AEI-II (Avaya) Adapter	Uni-directional	

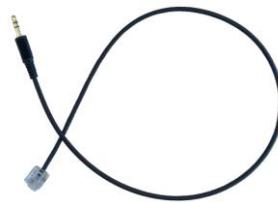
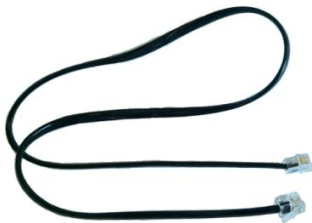
## AVAYA 9620



1. Needs external microphone to detect ring signal
2. With the telephone cord, connect the telephone socket (1) on the EHS adaptor to the headset port on the phone.
3. With the telephone cord, connect the socket (2) on the EHS adaptor to the telephone socket on the base unit.
4. With the cable (RJ-12 to RJ-45), connect the socket (3) on the EHS adaptor to the AUX port on the base unit.
5. Set compatibility switch in "1".

## Accessories

Two Telephone cords (RJ-9 4P4C) EHS Cable (φ3.5 plug to RJ-11 6P4C) External Microphone



Power cord (RJ-45 to RJ-12 6P6C)



Connect the cable between Base and socket(3) of EHS adapter.

## CISCO EHS Guide

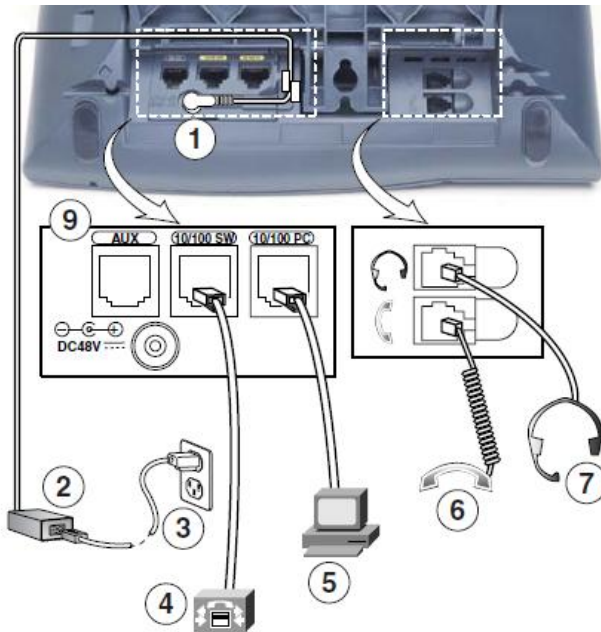
Phone Model	EHS Adapter	Data Link	Comments
7942G	DHHC	Bi-directional	
7945G	DHHC	Bi-directional	
7962G	DHHC	Bi-directional	
7965G	DHHC	Bi-directional	
7975G	DHHC	Bi-directional	

Note :

1. The Cisco server must be running Cisco Call-Manager System Version 4.1(3)SR5x or higher.
2. The Cisco phone must be running firmware 8.3(3)x or higher.

### Instruction

1. Access the server administrator with a browser. Select Device -> Phone through the drop down menus.
2. Click "Find" with no selection criteria to obtain a list of all phones.
3. Open the desired phone. Scroll down to "Wireless Headset Hookswitch Control". Set to "Enabled"
4. Click "Apply".



- RJ-11 jack is connected to headset port of the phone and RJ-12(6P) is connected to AUX port(9).



- Base side : RJ-45
- Phone side : RJ-11(6P4C)



## POLYCOM EHS Guide

Phone Model	EHS Adapter	Data Link	Comments
IP320/321	DS-PLC	Bi-directional	Note 1, 4
IP330/331	DS-PLC	Bi-directional	Note 1, 4
IP430	DS-PLC	Bi-directional	Note 1
IP450	DS-PLC	Bi-directional	Note 3
IP550	DS-PLC	Bi-directional	Note 1
IP560	DS-PLC	Bi-directional	Note 1
IP650	DS-PLC	Bi-directional	Note 1
IP670	DS-PLC	Bi-directional	Note 2

Note 1: Phone must be running SIP application 3.1 or higher and BootROM 4.1.0 or later.

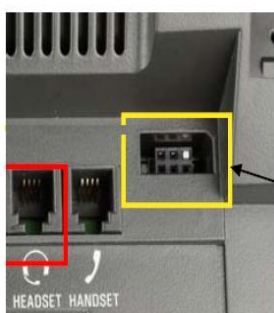
Note 2: Phone must be running SIP application 3.0.2 or higher and BootROM 4.1.0 or later.

Note 3: Phone must be running SIP application 3.1.0 Rev C or higher and BootROM 4.1.0 or later.

Note 4: 2.5mm headset port connector requires Audio cable.

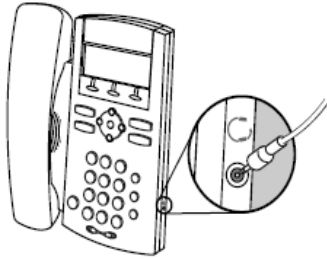
## Instruction

1. Access your Polycom phone menu and change the headset settings to "Jabra Mode" or "Jabra DHSG" based on the manufacturer's instructions for your specific model. Depending on your phone model, you may need to complete this step after connecting the EHS adapter. Typically, changing the settings requires that you access the "Basic," "Preferences," and "Headset" sections in the menu on your phone. Once "Analog Headset Mode" appears on the screen, use the up and down arrows to select the Jabra Mode and then choose "Back," "Exit" or "Menu" to return to the main screen.



6-pin  
Serial port

2. Align the cable end with 6-pin port on the bottom of Polycom phone.
3. Push the end into the port.
4. Plug the other cable end into the AUX port on base unit.



Polycom 320/330 SoundPoint IP phones require the use of a 2.5mm to RJ-9 adapter to use a wireless headset. In addition, the EHS adapter doesn't work with any system running a SIP application lower than 3.0 or BootRom lower than 4.1.0.

DS-PLC(RJ-45 to 5 pin)

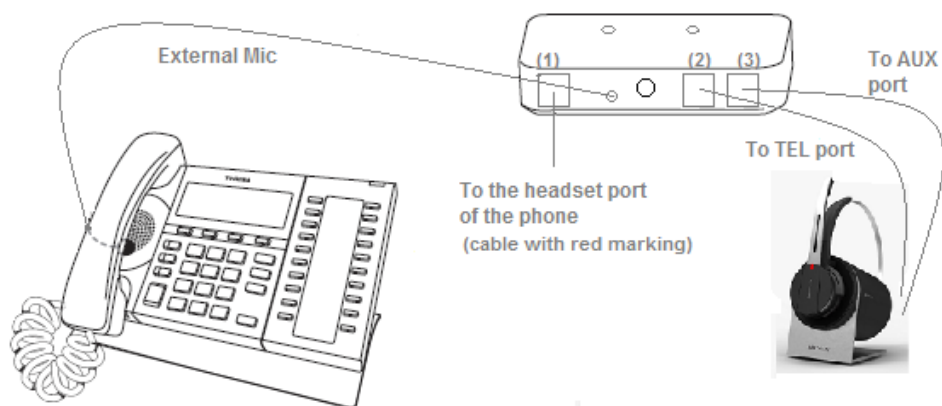


Telephone Cord (RJ-9 4P4C to  $\phi$ 2.5 plug)



## Toshiba EHS Guide

Phone Model	EHS Adapter	Data Link	Comments
DP5022-SD	DAEI-II-T	Uni-directional	
DP5022-SDM	DAEI-II-T	Uni-directional	
DP5032-SD	DAEI-II-T	Uni-directional	
DP5122-SD	DAEI-II-T	Uni-directional	
DP5130-FSDL	DAEI-II-T	Uni-directional	
DP5130-SDL	DAEI-II-T	Uni-directional	
DP5132-SD	DAEI-II-T	Uni-directional	
IP5022-SD	DAEI-II-T	Uni-directional	
IP5122-SD	DAEI-II-T	Uni-directional	
IP5122-SDC	DAEI-II-T	Uni-directional	
IP5131-SDL	DAEI-II-T	Uni-directional	
IP5132-SD	DAEI-II-T	Uni-directional	

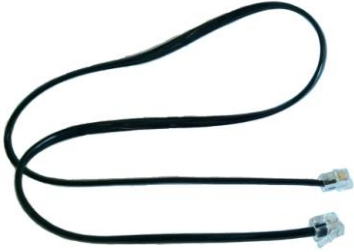


### Instructions:

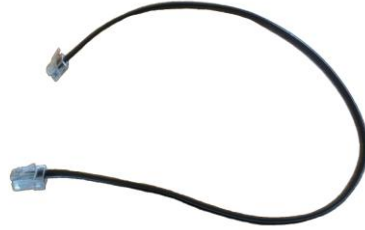
- 1 Needs external microphone to detect ring signal
6. With the telephone cord marked red, connect the telephone socket on the EHS adaptor to the headset port on the Toshiba phone.
7. With the telephone cord, connect the socket on the EHS adaptor to the telephone socket on the base unit.
8. With the cable (6p4c to RJ-45), connect the socket on the EHS adaptor to the AUX port on the base unit.
9. Set compatibility switch in "1".

## Accessories

Telephone cord (RJ-9 )



Power cord (RJ-45 to RJ-12)



Telephone cord(RJ-9)



External Microphone



## YEALINK EHS Guide

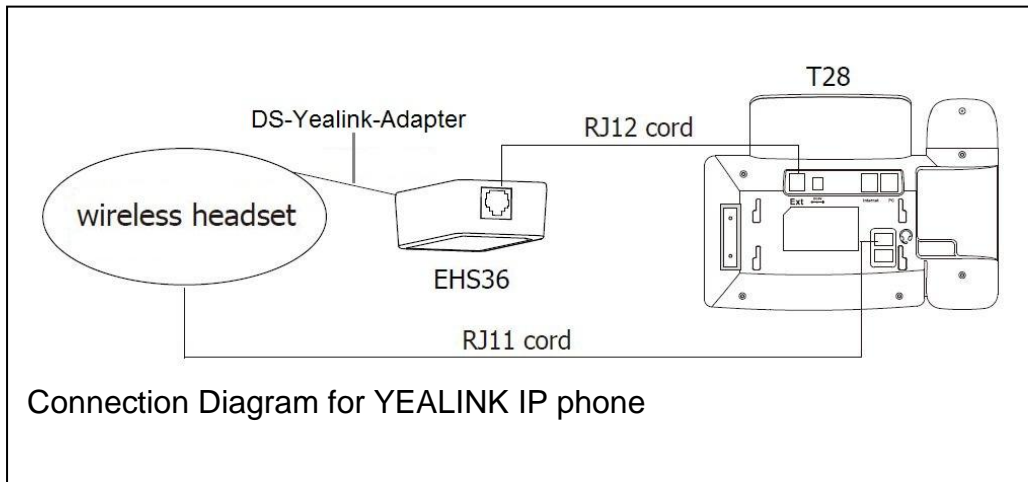
Phone Model	EHS Adapter	Data Link	Comments
SIP-T26P	DS-Yealink-Adapter	Bi-directional	
SIP-T-28P	DS-Yealink-Adapter	Bi-directional	



DS-Yealink-Adaptor

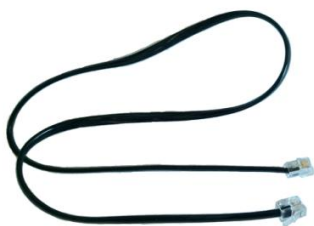
- Base side : RJ-45 (long type)
- EHS36 side : RJ-45(short type) to RJ-45 Jack of the phone

### SIP-T28



### Accessories

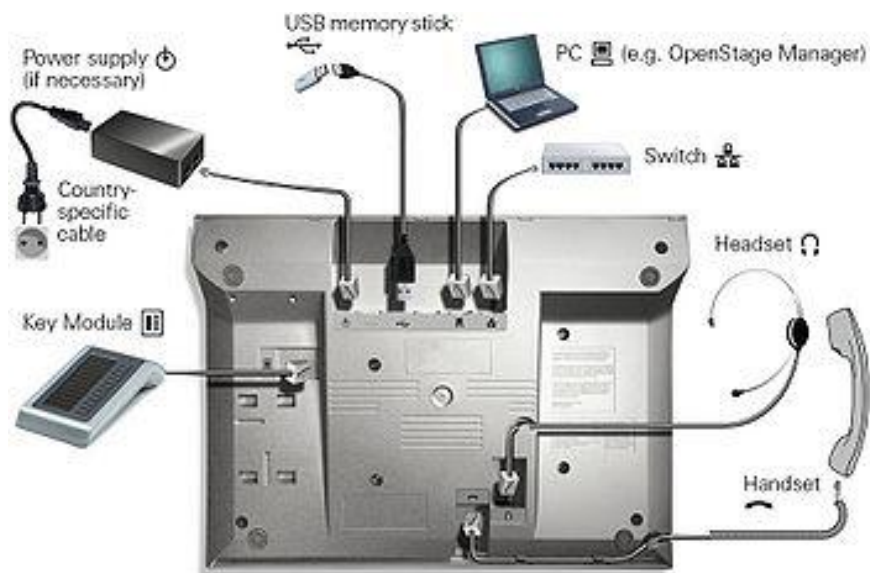
Telephone cord(4P4C) (RJ-11 to RJ-11)



## SIEMENS EHS Guide

Phone Model	EHS Adapter	Data Link	Comments
Optipoint 410	DS-DHSG Cable	Bi-directional	Note 1
Optipoint 420	DS-DHSG Cable	Bi-directional	Note 1
Optipoint 500	DS-DHSG Cable	Bi-directional	Note 1
Optipoint 600	DS-DHSG Cable	Note 1	
OpenStage 40	DS-DHSG Cable		
OpenStage 60	DS-DHSG Cable	Bi-directional	
OpenStage 80	DS-DHSG Cable	Bi-directional	

Note 1 : Requires acoustic adapter from Siemens



- Connect the RJ-45(8p8c) to headset port of the Phone.
- Connect the RJ-45(8p8c) to AUX port of the base unit and the other jack (4p4c) is connected to the Tel port of the base.

### Accessories

DS-DHSG Cable

