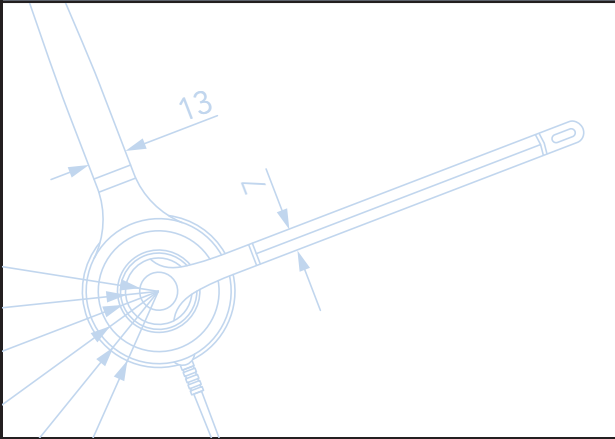




TRUSTED TELECOMS



USER GUIDE

Introduction

Thank you for purchasing this product.

Your new headset has been developed using the latest technology, designed for comfort and freedom of movement.

This headset is very easy to use and setup, although to get the best from your new purchase, we recommend you read this user guide carefully before using the headset for the first time.

Unpacking

Remove your headset from its packaging and ensure that along with this user guide, you have the correct specified accessories.

Retain the headset box for storage of your unit, and also in the unlikely event that it needs to be returned for servicing or repair.

Warning

Ensure that all electrical connections (including extension leads and interconnections between pieces of equipment) are properly made and in accordance with the relevant manufacturers instructions.

Do not continue to operate the equipment if you are in any doubt about it working normally, or if it is damaged in any way. Disconnect from your telephone equipment and consult your dealer.

Do not allow electrical equipment to be exposed to rain or moisture.

Never push anything into holes, slots or any other opening on your headset as this could result in fatal electrical shock.

Do not open the headset housing as doing so will void the warranty.

Never guess or take chances with electrical equipment.

Telephone headsets are capable of producing high levels of sound. Prolonged exposure to high sound levels can cause damage to hearing.

Safety

For your own safety, this product should only be used with CE ACA and RoHS approved equipment. Using this headset with non approved equipment can void this products warranty.

Maintenance

To gain optimal performance, hygiene and life-span from you headset, replace all consumable items; - ear foam cushion, microphone foam (if applicable) and microphone filter every 6 months.

Environmental notice

This headset has been made to CE, RoHS and WEEE standards. In the interest of recycling raw materials, please do not dispose of this headset in the household waste at the end of its useful life. Disposal can take place at approved recycling or disposing locations in accordance with local regulations.

Connecting Your Headset

Does your desk phone have a dedicated headset connection port?

If it does, simply connect your headset's Quick Disconnect cable to your chosen bottom lead (not supplied), then connect the bottom lead to the dedicated port on your desk phone.

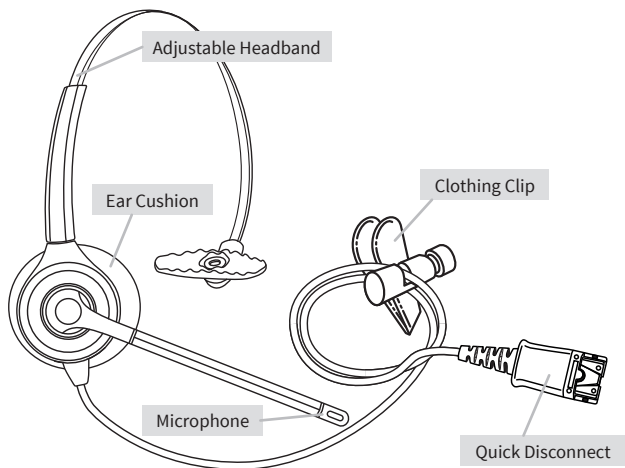
If you find that when the headset is connected to the phone it is not working as expected then it is very likely you are using an incompatible bottom lead.

There are various bottom leads available, these are all designed to connect your headset to specific brands of desk phone, ensuring whatever your setup, your headset will be compatible.

Please contact your dealer to attain the correct bottom lead for your desk phone, or see the compatibility table on our website:

<http://www.jpltele.com/jpl-compatibility.aspx>

Note: All bottom leads are supplied as an accessory at additional cost.



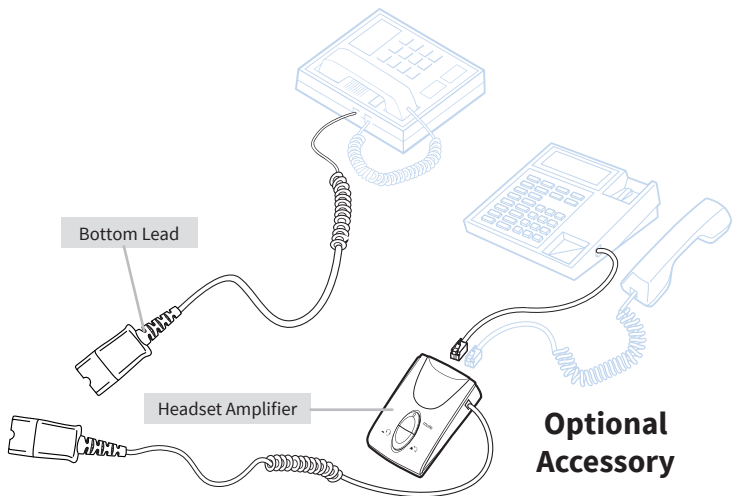
Using the Quick Disconnect Lead

Your headset may be equipped with a Quick Disconnect allowing you to move away from your desk (disconnecting the 2 connectors) without losing the call.

What to do if your desk phone does not support a dedicated headset connection port:

Your desk phone requires an external headset amplifier. If you already have a headset amplifier, read through the units setup guide and connect your headset accordingly.

In the event that you do not have a headset amplifier, please contact the supplier of this headset (details found on rear of user guide). They will be able to provide the correct amplifier for your headset and desk phone.



Adjusting the Headband

Adjusting the Headband

Place the headset receiver to your ear(s), if using a single ear headset you should set the T-bar above your other ear.

Adjust the headband until it is comfortable, ideally ensuring there is virtually no pressure felt on the ear(s)

Most headsets can be worn on either side. To change the microphone side, simply rotate the microphone boom 270 degrees to the other side.

Adjusting the Microphone Boom

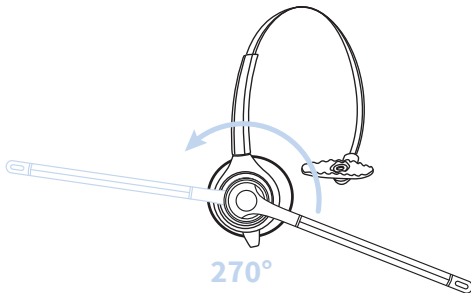
To avoid low or distorted sound, and to provide clear and crisp telephone calls, the microphone should be positioned within 30-40mm of your mouth.

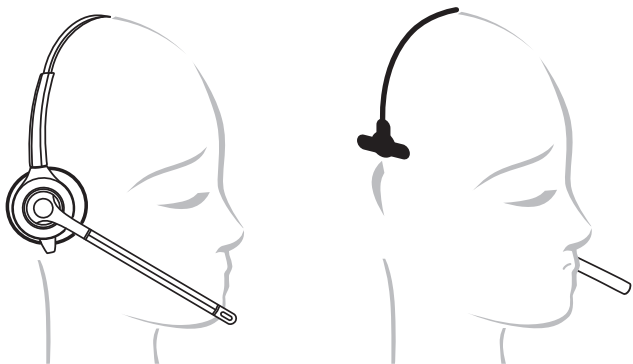
The microphone boom arm will move in a variety of directions to ensure the best fit.

Adjusting the Clothing clip

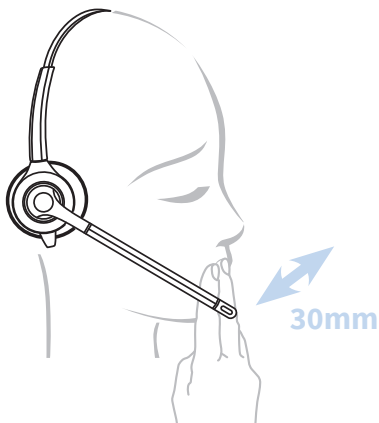
Your new headset is supplied with a clothing clip to allow comfortable fitting of your headset without the cable getting caught or inadvertently pulled.

The clothing clip should be fastened at a comfortable level, ensuring there is sufficient slack on the cable allowing free movement of your head without disturbing the headset position.





In the interests of hygiene it is advisable to replace the ear cushions of your headset every 6 months



WARRANTY

Your headset has been carefully manufactured and 100% tested using high quality assured components. It is protected by warranty against faulty workmanship and materials for a period of 12 months from the date of purchase. In the unlikely event that a failure should occur, the unit will be repaired or replaced free of charge when returned postage paid to the address below, within the 12 month warranty.

This warranty does not cover damage or failure resulting from misuse. Failure to comply with the warnings, care and safety advice listed in this user guide will void the warranty. This warranty does not cover goods damaged in transit. Removing the warranty tab thread on the headset cable will also void warranty.

Your statutory rights are in no way affected by this warranty.

Repair or replacement is at the discretion of the manufacturer.

In accordance with its policy of progressive design, the retailer reserves the right to alter product specifications at any time, without prior notice.

When returning this unit please ensure that the package contains a covering letter stating when and where you purchased the unit and a description of the problem encountered. If the unit is within the guarantee period please enclose proof of purchase.

LIMITED WARRANTY

Consequential and incidental damages, including without limitation, loss of property and those arising from breach of any express to implied warranty, are not the responsibility of JPL and to the extent permitted by law, are excluded.

JPL Ltd, Church Close Business Park, Todber,
Sturminster Newton, Dorset, DT10 1JH, ENGLAND

Tel: +44(0)1258 820100

E-mail: sales@jpltele.com

 **www.jpltele.com**

Registered in England No. 5250754

Registered Office: Church Close Business Park, Todber, Sturminster Newton, Dorset, DT10 1JH

